



Bellows cylinder



Easy battery change



MOVIMAX

Description

For the movement of dollies up to a total weight of 25 t on the Strothmann RoundTrack®. Enabled the easy handling of heavy loads by one person. The transportation of the loads can be performed by pulling and pushing.

Benefits

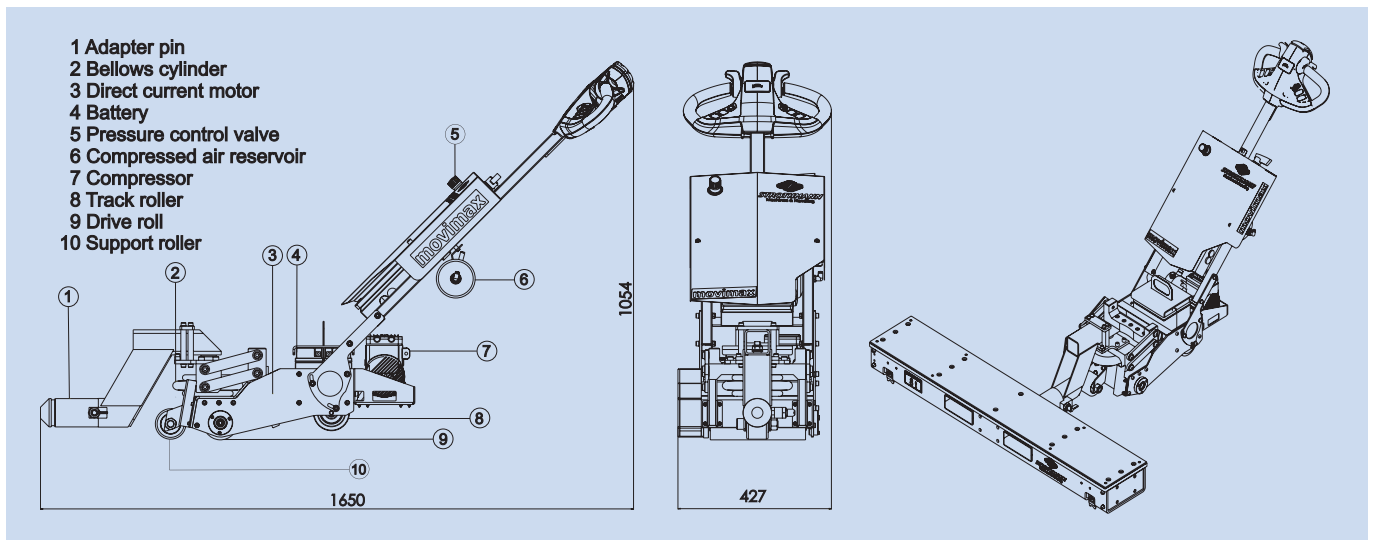
- ▶ Economic alternative to fixed installation respectively automated drives
- ▶ Handling by only one person
- ▶ One drive for several dollies "pulsing" in series connection possible
- ▶ Sensitive drive for precise positioning of the dolly
- ▶ Bright drive roller prevented soil pollution
- ▶ Low-maintenance

Options

- ▶ Special control (e.g. two person handling / safety concepts, if the route is not visible through the operator of the strothmann movimax)
- ▶ Possibility to change the adapter pin

Important notes

- ▶ Route needs to be clear of any objects, which can block the strothmann movimax
- ▶ Transport routes need to be clean, dry and free of any oil and grease
- ▶ Contact with water must be avoided
- ▶ Within ex zones is it not allowed to use the Strothmann movimax



Technical data

Own weight	118.5 kg
Max. pull	approx. 25 t
Max. push load	approx. 20 t
Ambient temperature	+5 °C until 35 °C
Speed	Forward: approx. 14 m/min Backward: approx. 7 m/min (depends on the weight and the local conditions)
Battery voltage	24 V DC (2x12 V DC each battery)
Runtime of battery	Approx. 2.75 h continuous driving time by following reference: <ul style="list-style-type: none"> ▶ RS40 ▶ 2 dollies loaded with a weight of 10 t ▶ 5 m driving distance ▶ 165 x accelerate
Loading time of battery	approx. 10 h
Part loads possible	Yes
Loading current	3 A
Engine power	0.75 kW
Rotational speed	3,000 rpm
Compressor	Operating pressure 5.8 bar

